

INSTRUCTION MANUAL

FIBARO FLOOD SENSOR

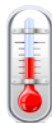
SmartThings Quick Start



Feature Highlights



Flood sensor



Temperature sensor

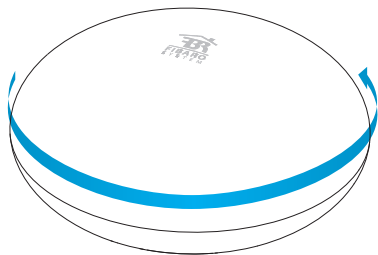


Signal and
light alarm

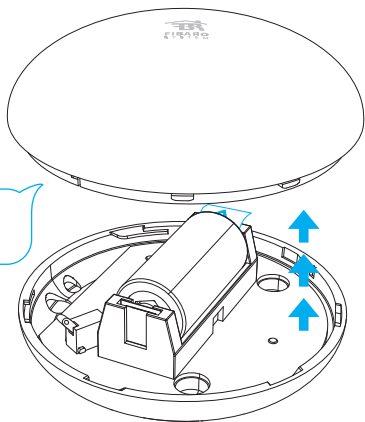


Tilt sensor

Start the device



STEP 1
Twist open the casing.

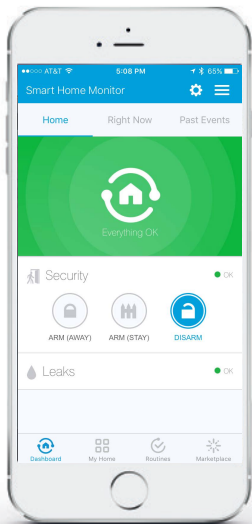


STEP 2
Take off the casing.

Inclusion Process

STEP 1

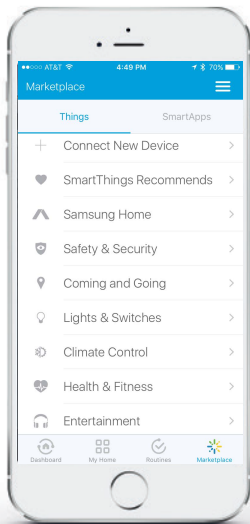
Tap Marketplace in bottom right corner



Inclusion Process

STEP 2

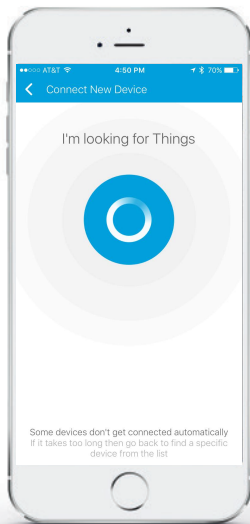
Tap Connect New Device



Inclusion Process

STEP 3

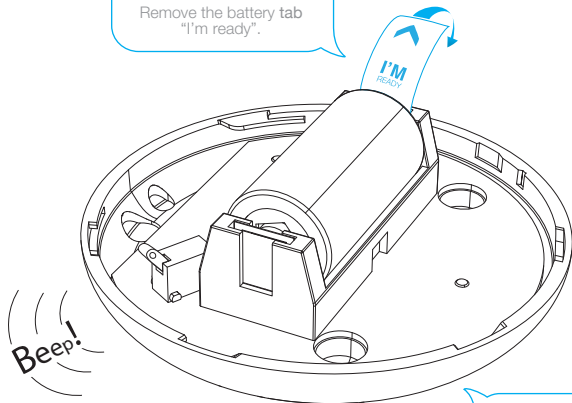
The app will say "I'm looking for Things"



Start the device

STEP 3

Remove the battery tab
"I'm ready".



You will hear a beep while LED
diode blinks red.

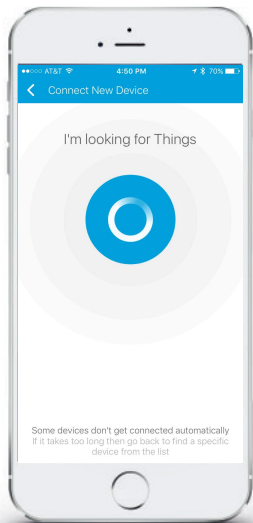
STEP 4

Check if the battery
is placed correctly.

*Wake up the device

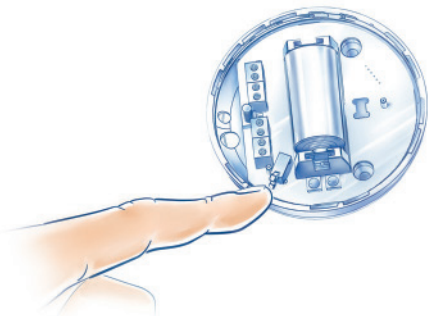


*If the app does not automatically find the Flood Sensor then perform this step. (If automatically found then skip this step)



STEP 5

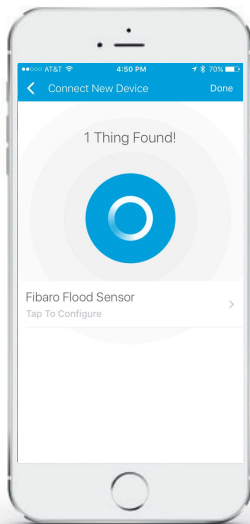
Quickly, **TRIPLE CLICK** the button in order to wake up the device.



Inclusion Success!

STEP 6

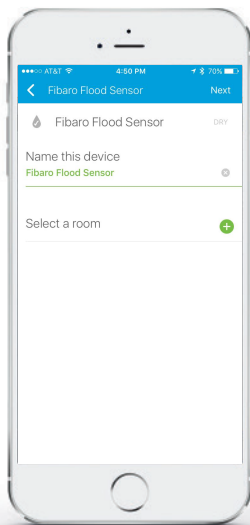
Success, sensor was found,
now tap below to configure.



Completing inclusion

STEP 7

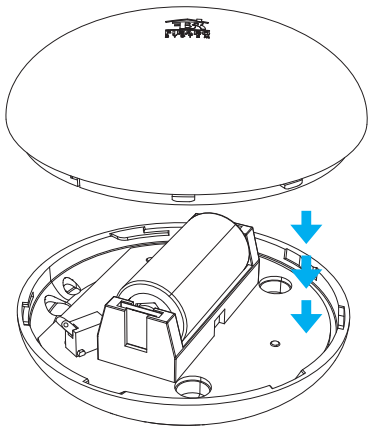
Name the device and select which room it is in.



Close the casing

STEP 8

Close the sensor by twisting the cover closed.



Installation




1. FIBARO Flood Sensor should be installed in locations where there's the risk of any water leaks:

- In the bathroom behind a toilet,
- In the kitchen under the sink,
- At the basement by the hot water tank.
- Behind washing machine
- Behind your refrigerator

2. A built-in temperature sensor lets you monitor for sudden change in temperature to prevent pipes freezing.

Adding a probe

To reach additional places like behind a washing machine or behind a refrigerator, you can install an additional probe.*



Install wires here.
Then knock out hole
in bottom of sensor.

The diagram shows a circular Flood Sensor control panel. At the top, there is a battery with a lightning bolt symbol on the left and a plus sign on the right. Below the battery is a terminal block with six terminals. The terminals are labeled: 'SENSOR' (with a lightning bolt icon), 'TAMP NO', 'ALARM NO', '12V', and 'GND'. The bottom terminal is labeled '5'. A red wire is connected to the 'SENSOR' terminal, a yellow wire to the 'TAMP NO' terminal, and a blue wire to the 'ALARM NO' terminal. A white cable with a connector extends from the bottom of the panel.

*The probe is not included in the
Flood Sensor set.



The inset diagram shows a circular connector with a water drop icon and two gold pins. Below it, a circular inset shows the probe installed behind a washing machine, with a white cable extending from the bottom of the machine.



www.fibaro.com